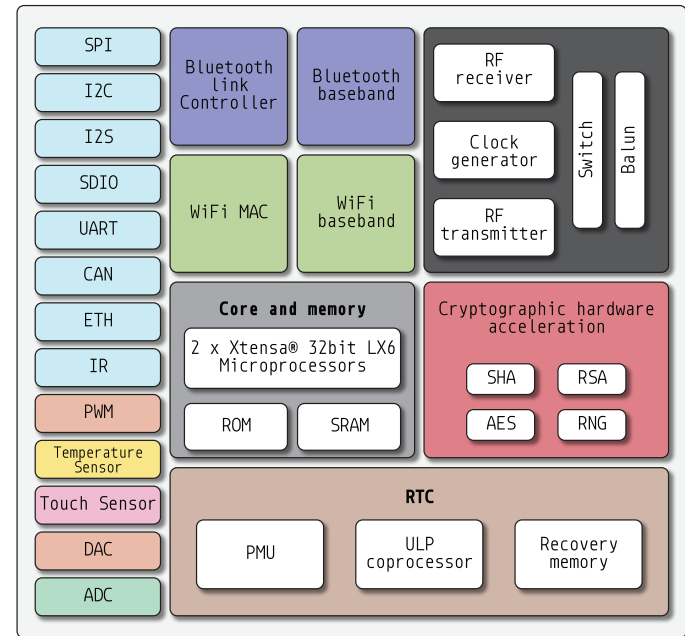
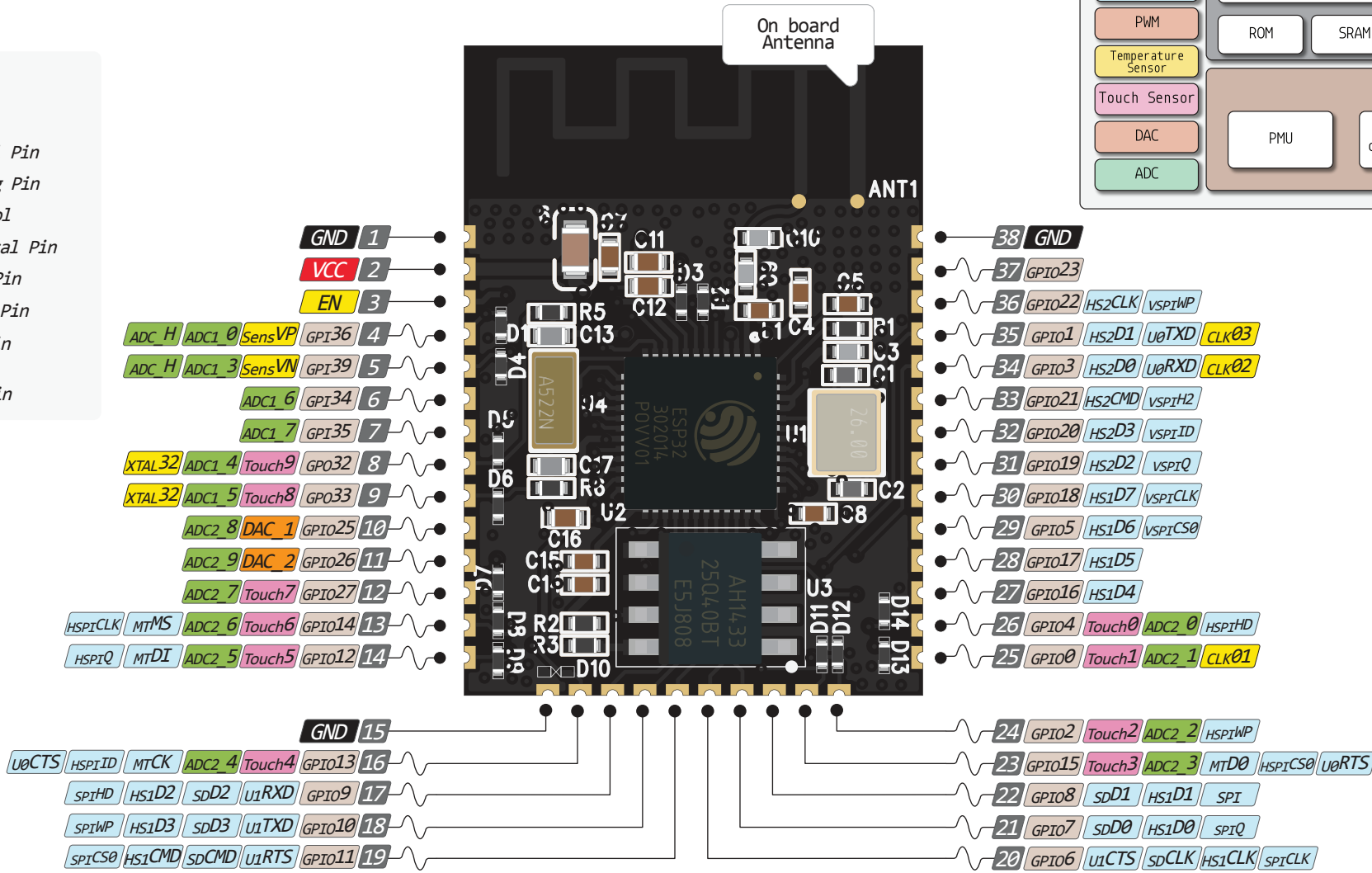


# ESP32 PINOUT

- Power
- GND
- Serial Pin
- Analog Pin
- Control
- Physical Pin
- Port Pin
- Touch Pin
- DAC Pin
- PWM Pin



<http://esp32.com/>