

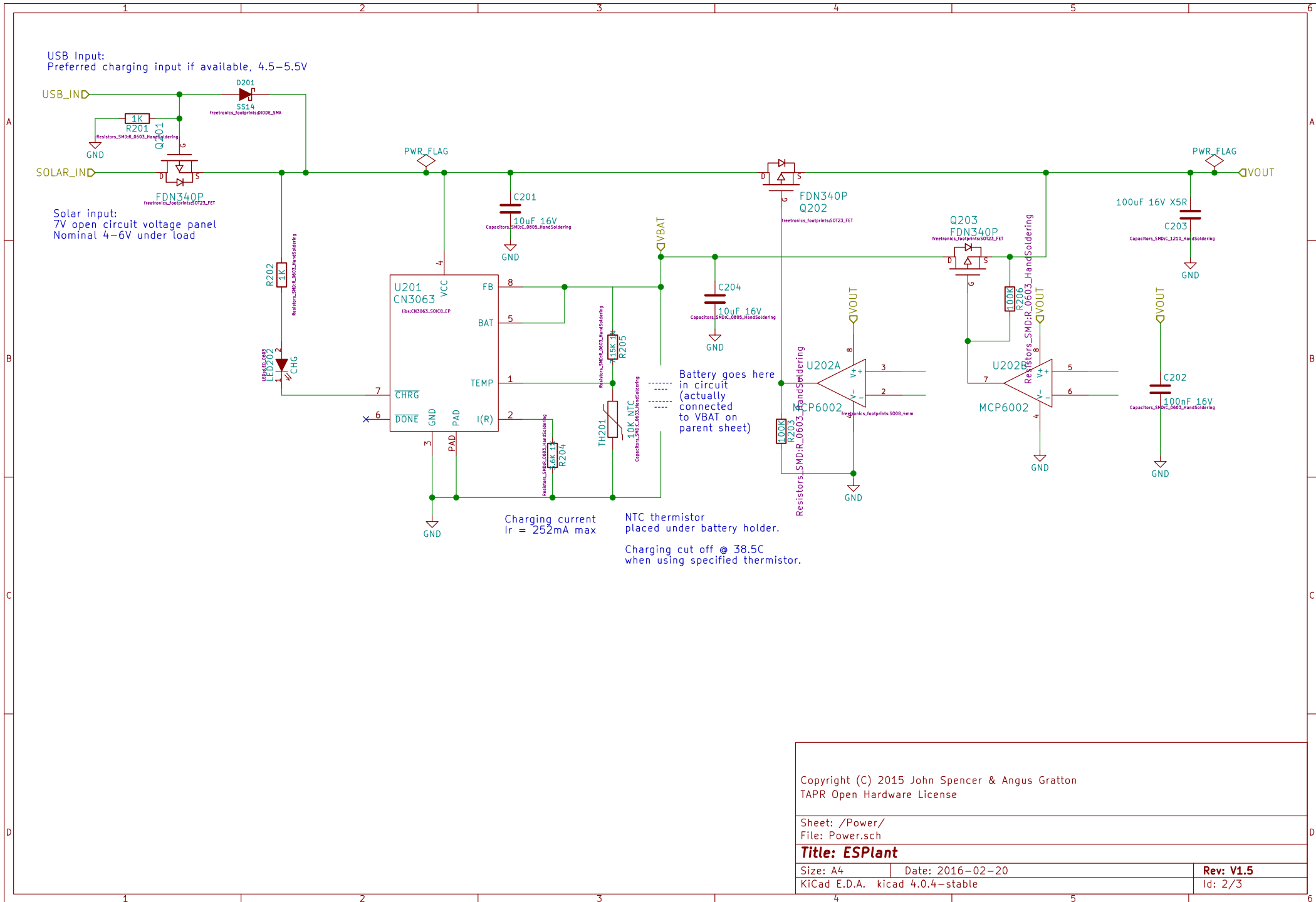
Copyright (C) 2015 John Spencer & Angus Gratton
TAPR Open Hardware License

Sheet: /
File: ESPlant.sch

Title: ESPlant

Size: A4 Date: 2017-03-02
KiCad E.D.A. kicad 4.0.4-stable

Rev: V2.0
Id: 1/3



Copyright (C) 2015 John Spencer & Angus Gratton
TAPR Open Hardware License

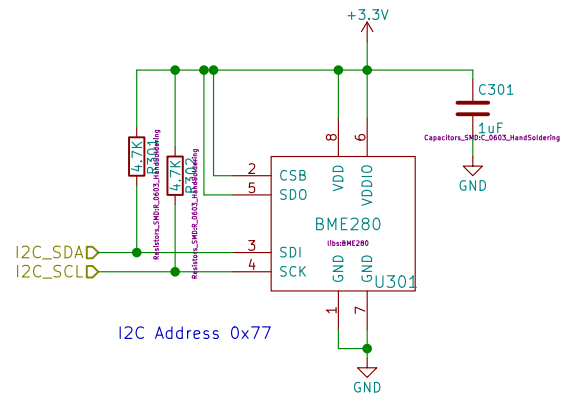
Sheet: /Power/
File: Power.sch

Title: ESPlant

Size: A4 Date: 2016-02-20
KiCad E.D.A. kicad 4.0.4-stable

Rev: V1.5
Id: 2/3

BME280 Temp/Humidity/Pressure



Copyright (C) 2015 John Spencer & Angus Gratton
TAPR Open Hardware License

Sheet: /I2C Sensors/
File: ESPlant-Sensors.sch

Title: ESPlant

Size: A4 Date: 2016-02-20
KiCad E.D.A. kicad 4.0.4-stable

Rev: V1.5
Id: 3/3