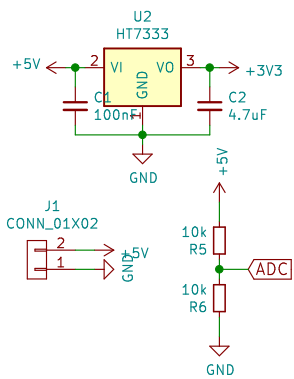
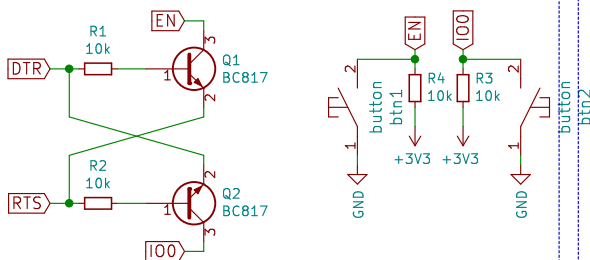


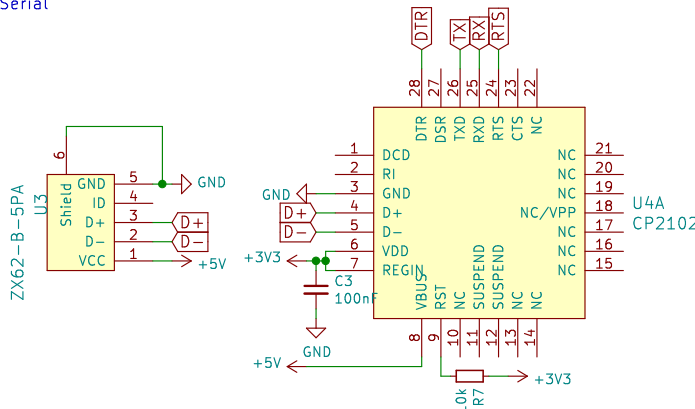
Power Supply



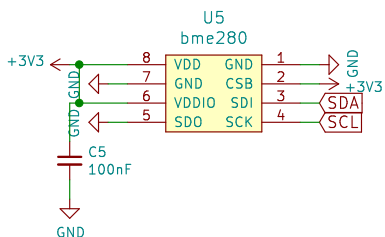
Reset & Programming Logic



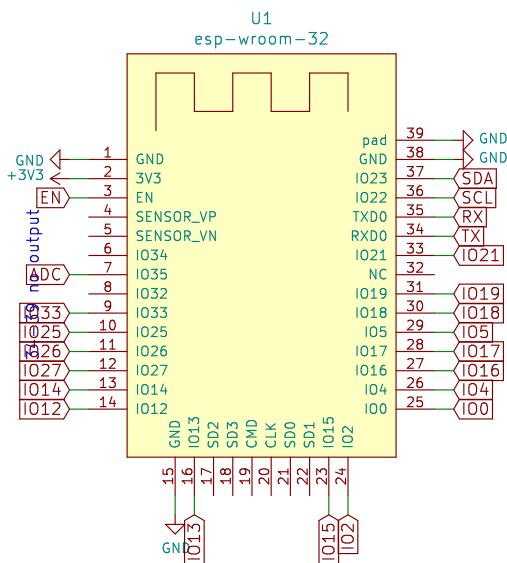
USB - Serial



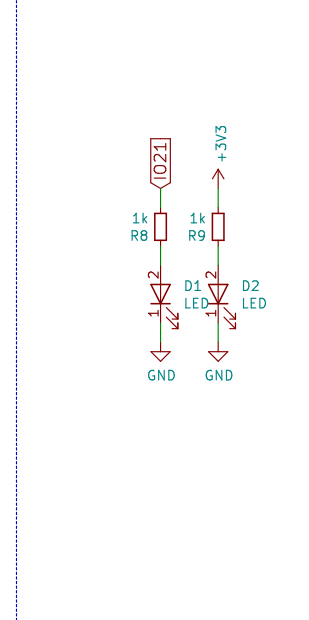
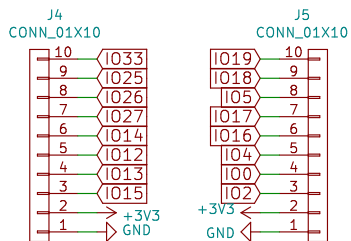
Optional BME280 T, H and P Sensor



ESP32 Module



GPIO Headers



Sheet: /
File: esp32_tiny_module.sch

Title:	
Size: A4	Date:
KiCad E.D.A. kicad (2017-07-22 revision cb2f3d630)-makepkg	
Rev:	Id: 1/1