

Software Selectable Pins

Interface	Signal	Pin
EMAC	EMAC_MDC_out	Any GPIO
	EMAC_MD1_in	
	EMAC_MDS_out	
	EMAC_CRS_out	
I2C	I2CEXT0_SCL_in	Any GPIO
	I2CEXT0_SDA_in	
	I2CEXT1_SCL_in	
	I2CEXT1_SDA_in	
General Purpose SPI	HSPIQ_in/_out	Any GPIO
	HSPIQ_in/_out	
	HSPIQ_in/_out	
	HSPIQ_in/_out	

For more information refer to [esp_wroom_32_datasheet_en.pdf](#).

Internal Bootstrapping Resistors

MTDI/GPIO12:	Pull-Down
GPIO0:	Pull-Up
GPIO2:	Pull-Down
GPIO4:	Pull-Down
MTDO/GPIO15:	Pull-Up
GPIO5:	Pull-Up

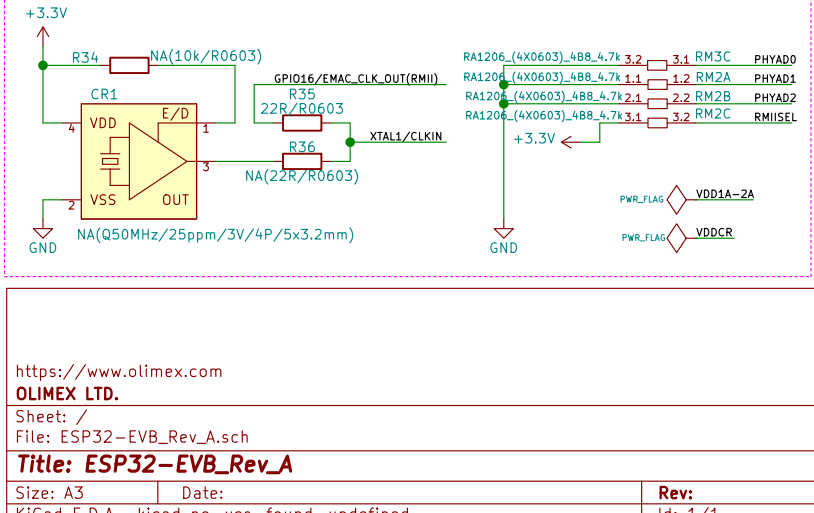
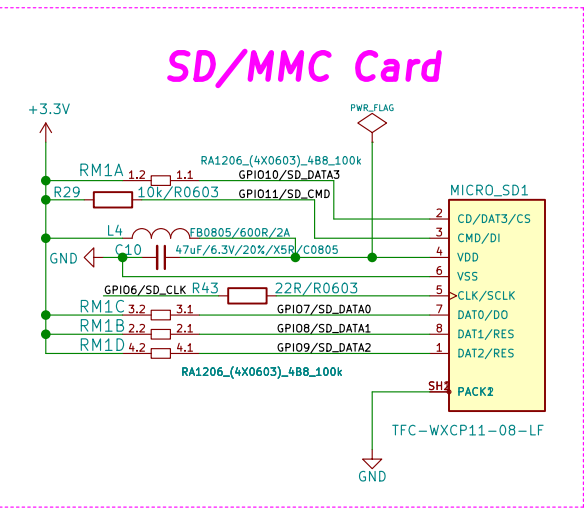
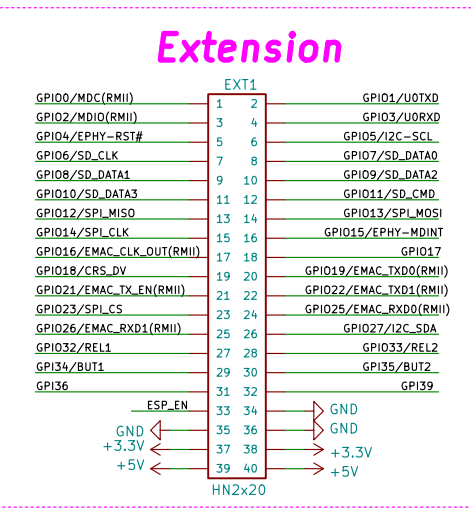
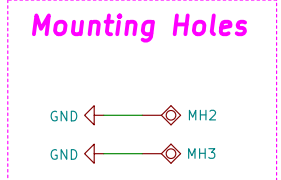
Bootstrapping Pins Settings

Voltage of Internal LDO(VDD_SPIO)	
Pin	Default
GPIO12/MTDI	Pull-Down
GPIO15/MTDO	Pull-Up

Bootstrapping Mode			
Pin	Default	SPI Flash Boot	Download Boot
GPIO0	Pull-Up	1	0
GPIO2	Pull-Down	Don't-care	0

Debugging Log on U0TXD During Booting			
Pin	Default	U0TXD Toggling	U0TXD Silent
GPIO15/MTDO	Pull-Up	1	0

Timing of SPIO Slave				
Pin	Default	Falling-edge:Input	Rising-edge:Input	Rising-edge:Input
GPIO15/MTDO	Pull-Up	0	0	1
GPIO5	Pull-Up	0	1	1



<https://www.olimex.com>
OLIMEX LTD.
 Sheet: /
 File: ESP32-EVB_Rev_A.sch
Title: ESP32-EVB_Rev_A
 Size: A3 Date: / /
 KiCad E.D.A. kicad no-vcs-found-undefined
 Rev: / /
 Id: 1/1