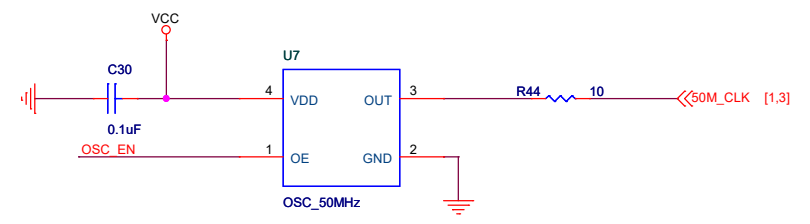
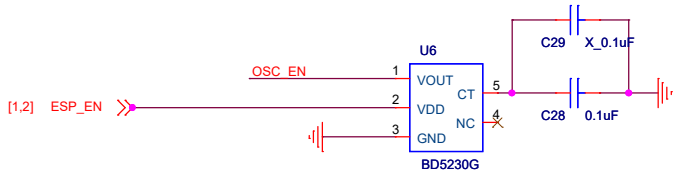
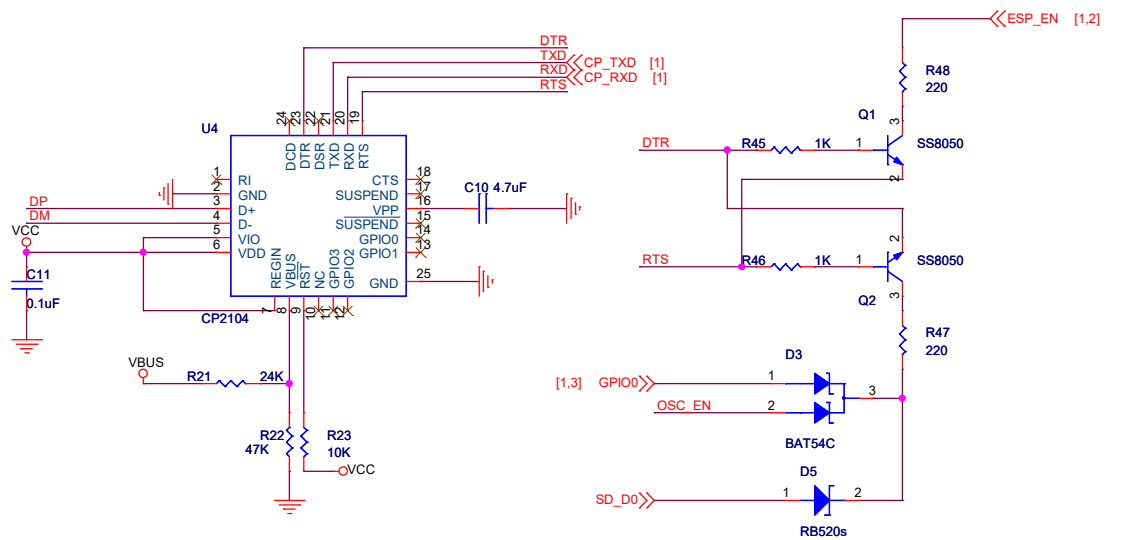
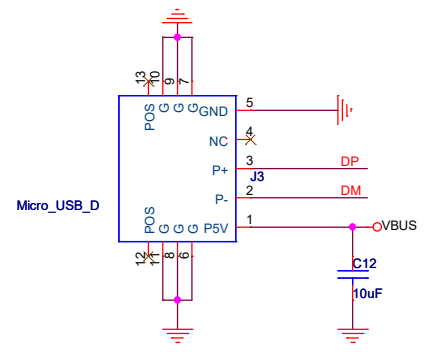
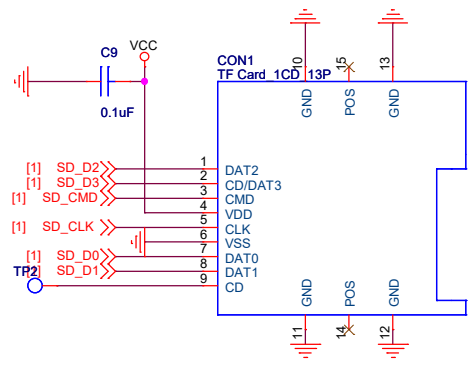
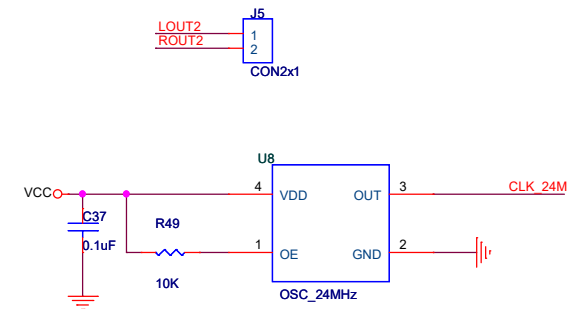
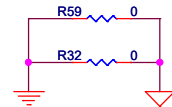
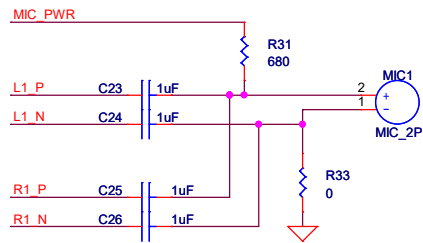
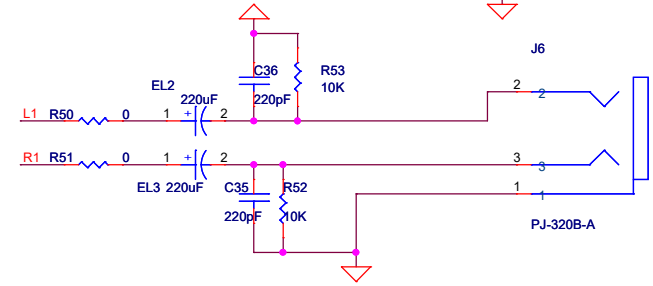
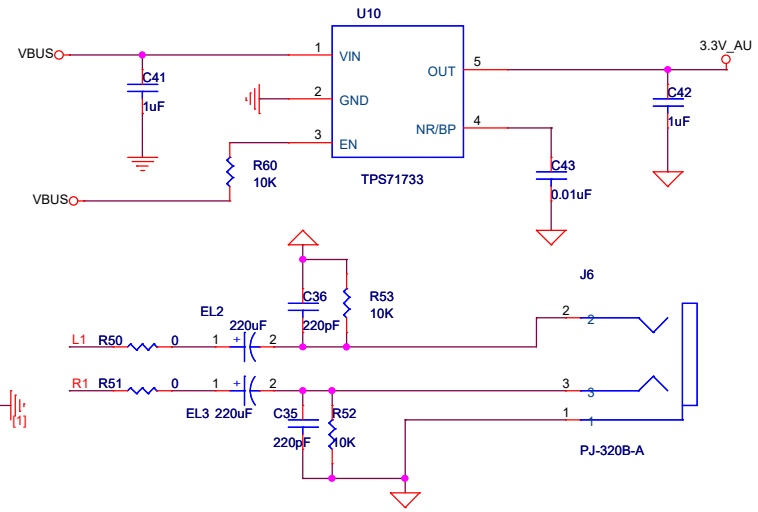
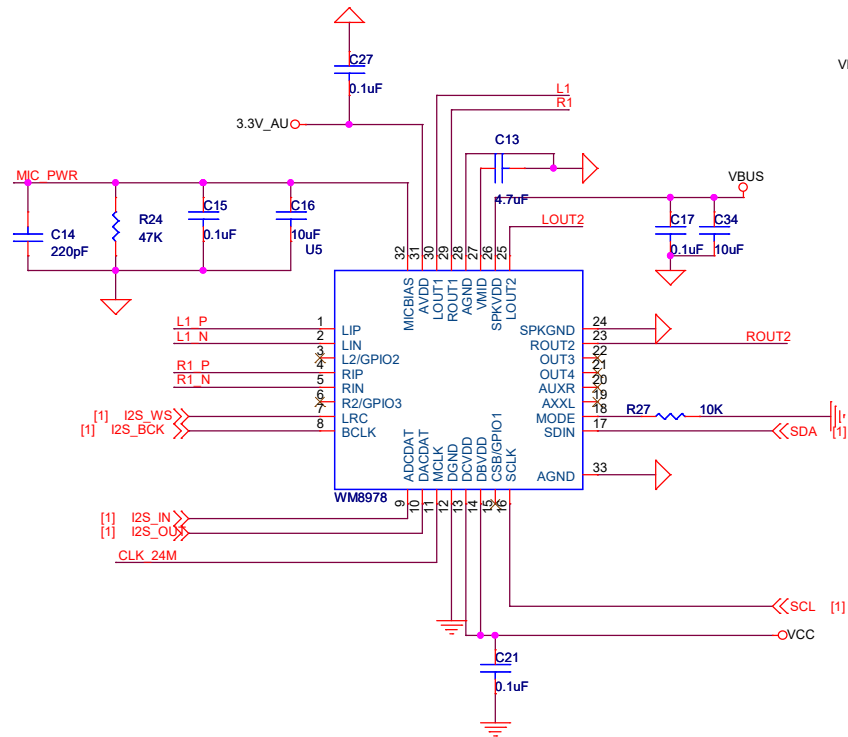


Title		<Title>
Size	Document Number	Rev
B	<Doc>	<RevCode>
Date:	Friday, July 28, 2017	Sheet 1 of 3



Title		
<Title>		
Size	Document Number	Rev
B	<Doc>	<RevCode>
Date:	Friday, July 28, 2017	Sheet 2 of 3



Title		<Title>
Size	Document Number	Rev
B	<Doc>	<RevCode>
Date:	Tuesday, August 01, 2017	Sheet 3 of 3